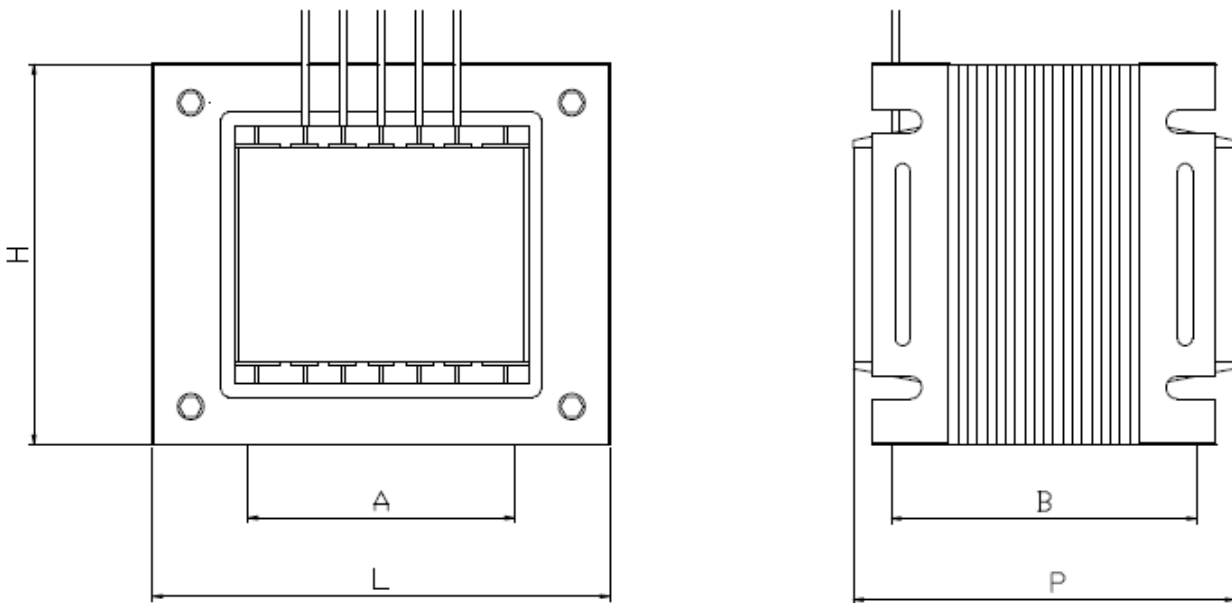


POWER SUPPLY LAMELLAR AUDIO TRANSFORMERS



Technical data: Input 2x115.V at 50/60 Hz and Output from 20.V to 40.V

Reference regulations: EN 61558-1 (CEI 96-3)

Protection index: IP00

Ambient temperature: 35°C

Thermal insulation class: B (130°C)

The transformers are immersed in an insulating liquid.

POWER (VA)	DIMENSIONS (mm)			FIX DISTANCE (mm)		WEIGHT (KG)
	L	H	P	A	B	
160	99	85	100	57	74	3
250	123	105	95	70	64	3,8
400	123	105	115	70	84	5,6
500	123	105	125	70	94	6,5
750	155	130	125	95	92	8,5
1000	155	130	145	95	112	11,3

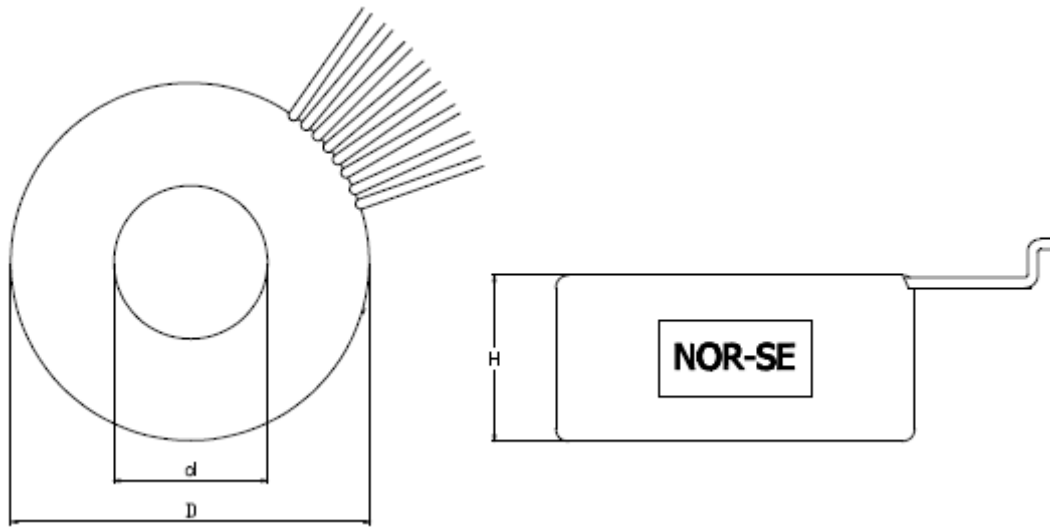
The power transformers (PA and D) are manufactured in compliance with the European standards EN 61558-1 and CEI 96-3, American UL 506 and UL 1585 and Canadian legislations CSA 22.2 n ° 66.

They are composed by a primary network input at a frequency of 50/60 Hz and one or more secondary networks with a voltage that generally ranges from 20.V to 40.V.

Our products are entirely realised in Italy with first choice raw materials strictly selected in order to guarantee the best quality and safety.

Our Technical Department is qualified and prepared to satisfy all kind of demands including tailor made requests.

POWER SUPPLY TOROIDAL AUDIO TRANSFORMERS



Technical data: Input 2x115.V at 50/60 Hz and Output from 20.V to 40.V

Reference regulations: EN 61558-1 (CEI 96-3)

Protection index: IP00

Ambient temperature: 35°C

Thermal insulation class: B (130°C)

POWER (VA)	DIMENSIONS (mm)			WEIGHT (KG)
	D	d	H	
160	110	45	45	2
250	110	45	58	2,8
400	120	45	62	3,4
500	130	40	65	4,1
750	150	40	62	5,4
1000	150	40	70	5,7

The power transformers (PA and D) are manufactured in compliance with the European standards EN 61558-1 and CEI 96-3, American UL 506 and UL 1585 and Canadian legislations CSA 22.2 n ° 66.

They are composed by a primary network input at a frequency of 50/60 Hz and one or more secondary networks with a voltage that generally ranges from 20.V to 40.V.

Our products are entirely realised in Italy with first choice raw materials strictly selected in order to guarantee the best quality and safety.

Our Technical Department is qualified and prepared to satisfy all kind of demands including tailor made requests.